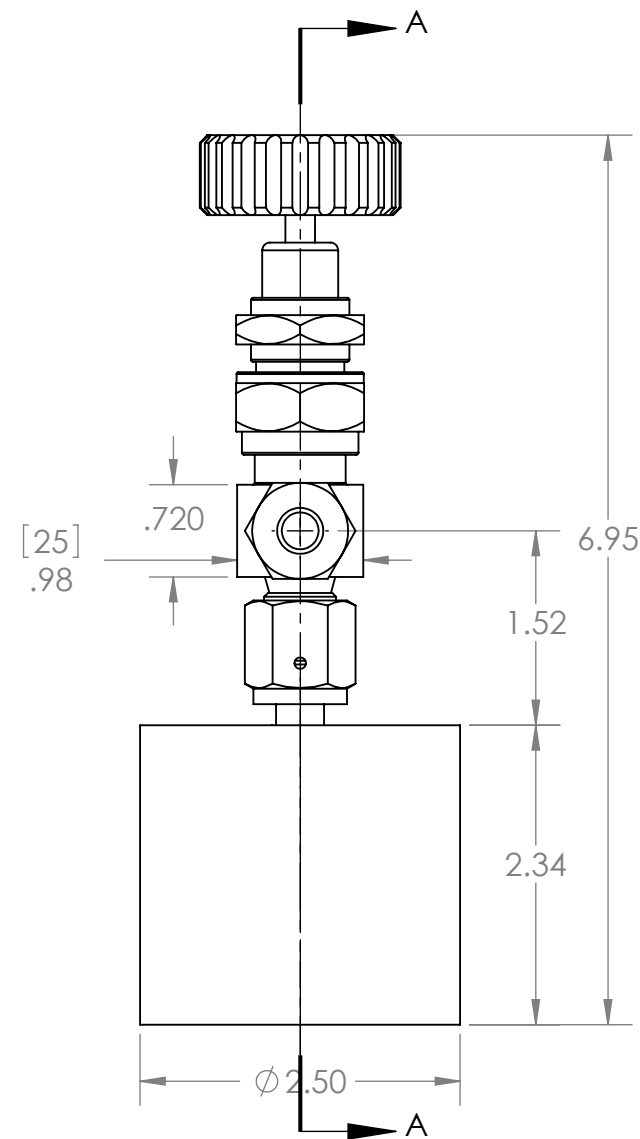
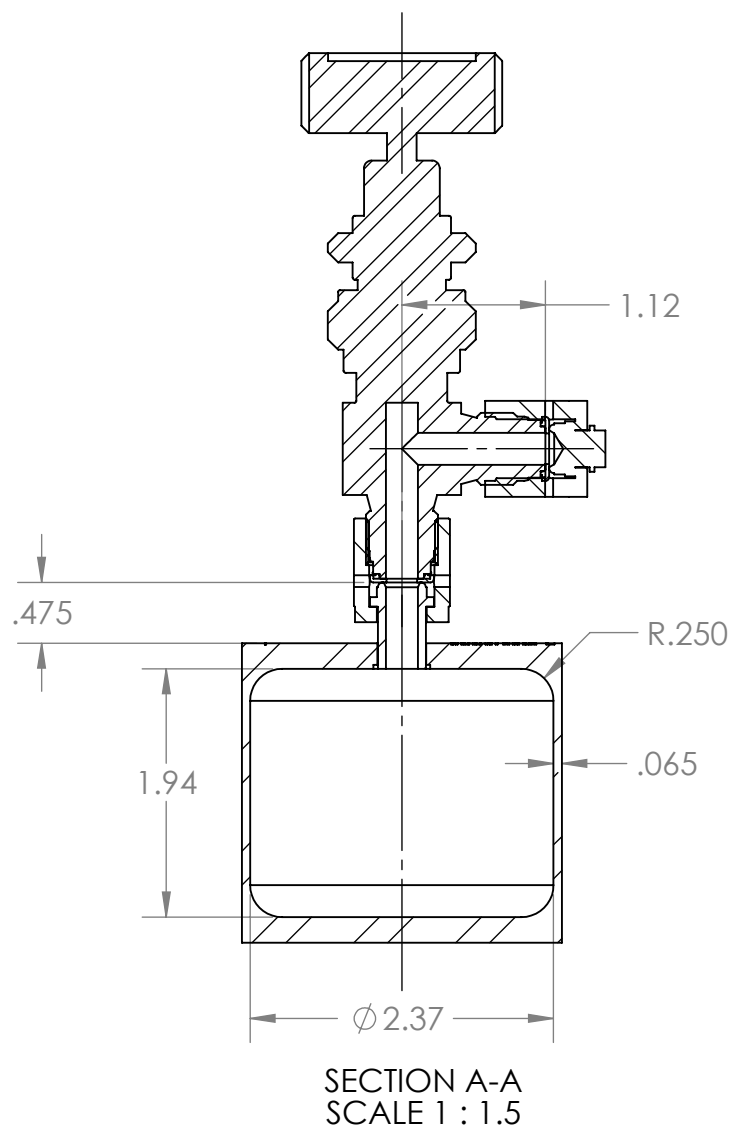
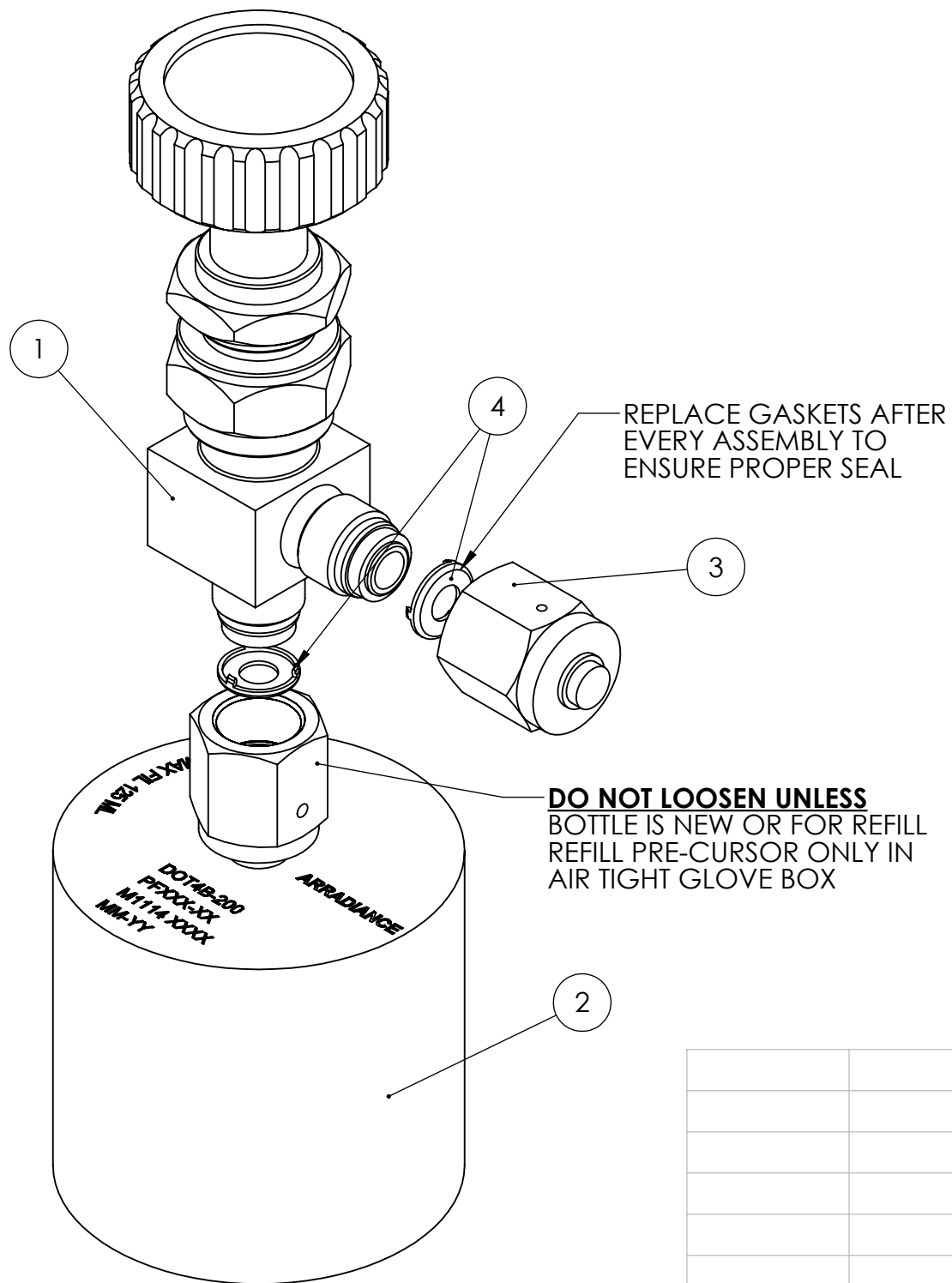


DOT SPEC	4B-200
CYLINDER SIZE	2.5" DIA
CYLINDER MATERIAL	316L SS
CYLINDER TOTAL VOLUME	135ml
CYLINDER MAX FILL	125ml
DESIGN PRESSURE	200psi
MAX PRESSURE	400psi
MAX OPERATIONAL TEMP	175C



ITEM NO.	Supplier	PART NUMBER	DESCRIPTION	QTY.
1	Fujikin	FUB-81-6.35-PI	VALVE, BELLOWS 1/4 MALE VCR 150C PI SEAL 0.3 Cv	1
2	PRECISION FABRICATORS LTD.	PF-AR-ALD125	ARR-GS DOT 4B-200 BOTTLE, 316L 2.50"Dx2.34"H 125ml FILL 200psi with 1/4 High Flow VCR	1
3	Swagelok or EQUIL	SS-4-VCR-CP	Cap SS-4-VCR-CP 3/4	1
4	Swagelok or Equil	SS-4-VCR-2-GR-VS	Gasket Retainer Assembly SS-4-VCR-2-GR 0.24	2

UNLESS OTHERWISE SPECIFIED DIMENSIONS ARE IN:

INCHES TOLERANCES: ANGULAR: MACH ± 0.5° BEND ± 1° X.XXX ± 0.005 X.XX ± 0.010 X.X ± 0.03	(MILLIMETERS) TOLERANCES: ANGULAR: MACH ± 0.5° BEND ± 1° (X.XX ± 0.13) (X.X ± 0.25) (X ± 0.75)
--	---

REMOVE BURRS AND BREAK ALL SHARP EDGES
FILLET RADII AND CORNER RADII TO BE .02" (0.5MM)
SURFACE FINISH TO BE 63

NEXT ASSY	USED ON
APPLICATION	

MATERIAL NONE
FINISH NONE

NAME	DATE
DRAWN Beaulieu	10/29/13
CHECKED	
ENG APPR.	

PROPRIETARY AND CONFIDENTIAL

THE INFORMATION CONTAINED IN THIS DRAWING IS THE SOLE PROPERTY OF ARRADIANCE. ANY REPRODUCTION IN PART OR AS A WHOLE WITHOUT THE WRITTEN PERMISSION OF ARRADIANCE IS PROHIBITED.



ARRADIANCE

142 NORTH RD, SUDBURY, MA 01776

TITLE:
ASSY, DOT 4B 200 150ML BOTTLE WITH 175C BELLOWS VALVE

SIZE	DWG. NO.	REV
B	ARR-40591B-DOT	2

SCALE: 1:2 WEIGHT: SHEET 1 OF 3



Fujikin of America, Inc.

4677 Old Ironsides Dr., Suite 100, Santa Clara, California 95054
Tel. (408) 980-8269 • Fax (408) 980-0572

March 02, 2013

TECHNICAL NOTICE

This notice is for your reference regarding Fujikin bellows valve FUB-81-6.35-PI. This valve can be heated to 175°C if the total number of cycles does not exceed 200 annually during usage.

Shigeru (Steve) Itoi
Fellow of Engineering
Fujikin of America



原図用紙サイズ A3(JIS Z 8311)

REV. MARK	DATE	CONTENTS	REVISION	APPROV.
△	2008-12	180-180000	1	T.Y. R.N
△	2008-22	ST 型仕変更	2	R.N
△	2008-08	ガスケット材質表示変更	3	R.N

CODE No.	036447	U.P.	036828
----------	--------	------	--------

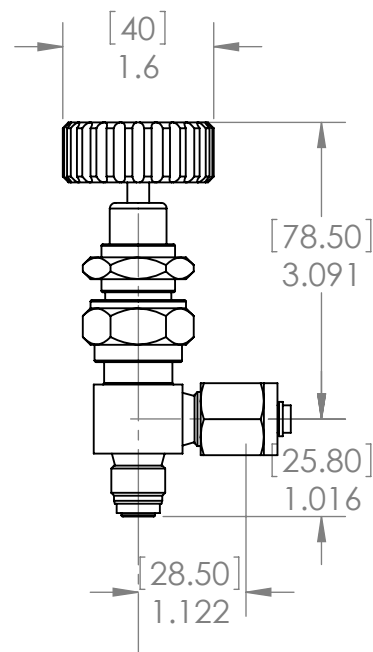
注1. 使用温度範囲: -10 ~ 150°C
2. 凸輪0.3
3. ベロスバルブは銅製ガスケット

部品名	材質
スチム(2)	SUS 316L
ベロス	SUS 316L
ベロスジョイント	SUS 316L
フェニクソクッション	ホウシロミ*
ガスケット	NW2201

DATE	1994-03-08	SCALE	FREE
APPROVAL	J. Yamaguchi	CHECKED	J. Yamaguchi
DESIGNER	J. Yamaguchi	REVISION	1.1

ITEM NO.	FUB-81-6.35-PI
NAME	ステンレス鋼 1MPa Δ
DRG. NO.	KU150046
REV. MARK	0.1

Fujikin Incorporated
株式会社 フジキン



UNLESS OTHERWISE SPECIFIED DIMENSIONS ARE IN:	
INCHES TOLERANCES: ANGULAR: MACH ± 0.5° BEND ± 1° X.XXX ± 0.005 X.XX ± 0.010 X.X ± 0.03	(MILLIMETERS) TOLERANCES: ANGULAR: MACH ± 0.5° BEND ± 1° (X.XX ± 0.13) (X.X ± 0.25) (X ± 0.75)
REMOVE BURRS AND BREAK ALL SHARP EDGES FILLET RADII AND CORNER RADII TO BE .02" (0.5MM) SURFACE FINISH TO BE 63	
NEXT ASSY	USED ON
APPLICATION	
MATERIAL	NONE
FINISH	NONE

NAME	DATE
Beaulieu	10/29/13
CHECKED	
ENG APPR.	
PROPRIETARY AND CONFIDENTIAL	
THE INFORMATION CONTAINED IN THIS DRAWING IS THE SOLE PROPERTY OF ARRADIANCE. ANY REPRODUCTION IN PART OR AS A WHOLE WITHOUT THE WRITTEN PERMISSION OF ARRADIANCE IS PROHIBITED.	

ARRADIANCE
142 NORTH RD, SUDBURY, MA 01776

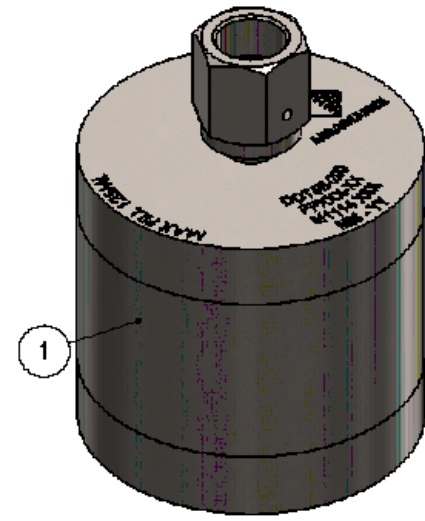
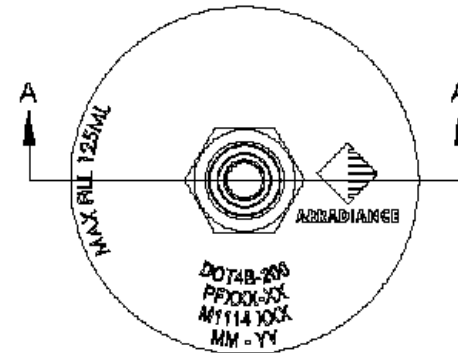
TITLE:
ASSY, DOT 4B 200 150ML BOTTLE WITH 175C BELLOWS VALVE

SIZE **B** DWG. NO. **ARR-40591B-DOT** REV **2**

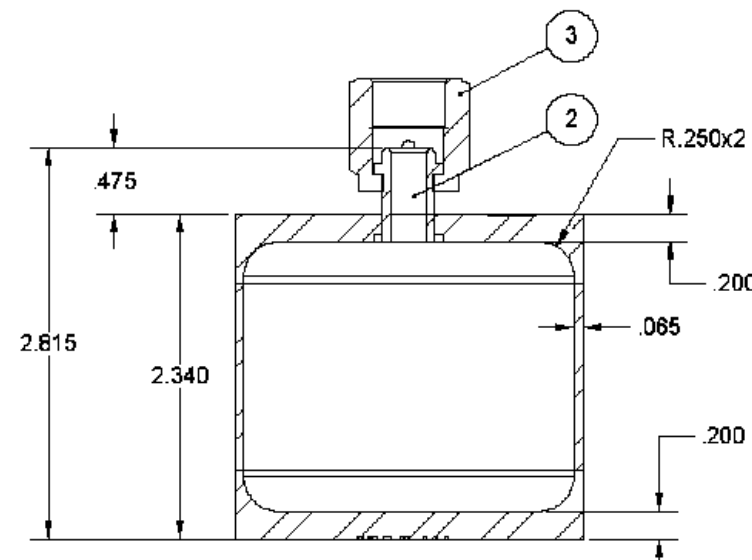
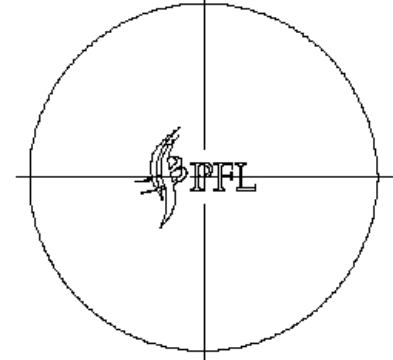
SCALE: 1:2 WEIGHT: SHEET 2 OF 3

DESIGN SPECIFICATION	
CYLINDER MODEL	PF-AR-ALD125
CYLINDER SIZE	2.50" DIAMETER
CYLINDER WORKING VOLUME	135ml
CYLINDER TOTAL VOLUME	135ml
CYLINDER TARE WEIGHT	0.97 LBS
DESIGN PRESSURE	200 psi
TEST PRESSURE	400 psi
DESIGN TEMPERATURE	-
INTERNAL FINISH	20ra
EXTERNAL FINISH	20ra
FILLPORT	N/A
INLET VALVE	N/A
OUTLET VALVE	N/A
THERMOWELL	NO
DIPTUBE	NO
MATERIAL OF CONSTRUCTION	316L SS
D.O.T. SPECIFICATION	4B-200
TOLERANCE (UNLESS OTHERWISE SPECIFIED)	±.060

IQNE	REV.	DESCRIPTION	DATE	APPROVED
	01	INITIAL RELEASE	07/27/2015	
	2	CHANGE MARKINGS	2/5/2016	
	3	ELONGATE GLAND, RADIUS MARKINGS	2/9/2016	

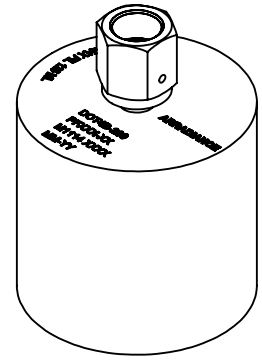


SCALE 1 : 1



ITEM NO.	PART NUMBER	DESCRIPTION	QTY.
1	0339-0001	CYLINDER, STAINLESS STEEL	1
2	6LV-4-HVCR-3 MODIFIED GLAND	MODIFIED GLAND	1
3	SS-4-VCR-1	NUT, FEMALE, 1/4 VCR	1

TOLERANCES UNLESS OTHERWISE SPECIFIED		INTERPRET GEOMETRIC TOLERANCING PER THIRD ANGLE PROJECTION		PRECISION FABRICATORS LTD.	
ANGULAR:	±0.5° 20°-30°	AS SHOWN	AS SHOWN	171 TOSGA DRIVE	
ONE PLACE DECIMAL:	±.1in (2.54mm)	UNLESS OTHERWISE SPECIFIED:	PRIMARY DIMENSIONS ARE INCH.	STOUGHTON, MA 02072	
TWO PLACE DECIMAL:	±.01in (0.25mm)	BREAK ALL SHARP CORNERS: R.02(0.51mm)	ALTERNATE UNITS ARE MM.	(781) 341-7242 PHONE	
THREE PLACE DECIMAL:	±.001in (0.025mm)			(781) 341-7245 FAX	
SURFACE FINISH:	63 (1.6)			TITLE	
NOTICE OF CONFIDENTIAL INFORMATION		DRW WH	MJC	6/26/2014	ARRADIANCE - 125CC
INFORMATION CONTAINED HEREIN IS CONFIDENTIAL AND IS THE PROPERTY OF PRECISION FABRICATORS LTD. UNLESS OTHERWISE SPECIFIED TO THE CUSTOMER IT SHALL BE USED SOLELY FOR THE PURPOSES OF INSPECTION, INSTALLATION, OR MAINTENANCE WHERE FURNISHED TO A SUPPLIER IT SHALL BE USED SOLELY IN THE PERFORMANCE OF WORK CONTRACTED FOR BY THIS COMPANY. THE INFORMATION SHALL NOT BE USED OR DISCLOSED BY THE RECIPIENT FOR ANY OTHER PURPOSE WHATSOEVER.		CHECKED	D BD	12/28/1799	CUSTOMER DWG
		ENG APPR.	D BD	12/28/1799	SIZE DWG. NO.
		MFG APPR.	EJY	12/28/1799	B 0339-0001
		Q.A.	-	12/28/1799	REV 3
		DO NOT SCALE DRAWING		SCALE: 1:2	SHEET 1 OF 1



UNLESS OTHERWISE SPECIFIED DIMENSIONS ARE IN:	
INCHES	(MILLIMETERS)
TOLERANCES:	TOLERANCES:
ANGULAR: MACH ± 0.5° BEND ± 1°	ANGULAR: MACH ± 0.5° BEND ± 1°
X.XXX ± 0.005	(X.XX ± 0.13)
X.XX ± 0.010	(X.X ± 0.25)
X.X ± 0.03	(X ± 0.75)
REMOVE BURRS AND BREAK ALL SHARP EDGES FILLET RADII AND CORNER RADII TO BE .02" (0.5MM) SURFACE FINISH TO BE 63	
NEXT ASSY	USED ON
APPLICATION	
MATERIAL	NONE
FINISH	NONE

NAME	DATE
DRAWN	Beaulieu 10/29/13
CHECKED	
ENG APPR.	
PROPRIETARY AND CONFIDENTIAL	
THE INFORMATION CONTAINED IN THIS DRAWING IS THE SOLE PROPERTY OF ARRADIANCE. ANY REPRODUCTION IN PART OR AS A WHOLE WITHOUT THE WRITTEN PERMISSION OF ARRADIANCE IS PROHIBITED.	

ARRADIANCE
142 NORTH RD, SUDBURY, MA 01776

TITLE:
ARR-GS DOT 4B-200 BOTTLE, 316L
2.50"Dx2.34"H 125ml FILL 200psi with 1/4
High Flow VCR

SIZE	DWG. NO.	REV
B	PF-AR-ALD125	2

SCALE: 1:2 WEIGHT: SHEET 3 OF 3